

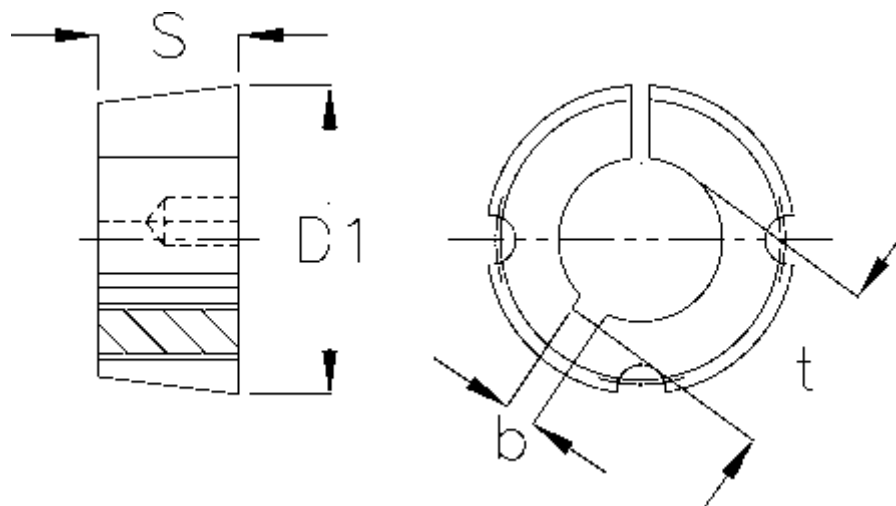
Data Sheet



Article number: 6160402012042

Description: Taper bush 2012 bore $\varnothing 42$ mm

Measures



b	= 12
Bore	= 42
Bush type	= 2012
D1	= 70
S	= 31,8
Screw size	= 7/16 x 7/8"
t	= 45.3
Transmission moment	= 808